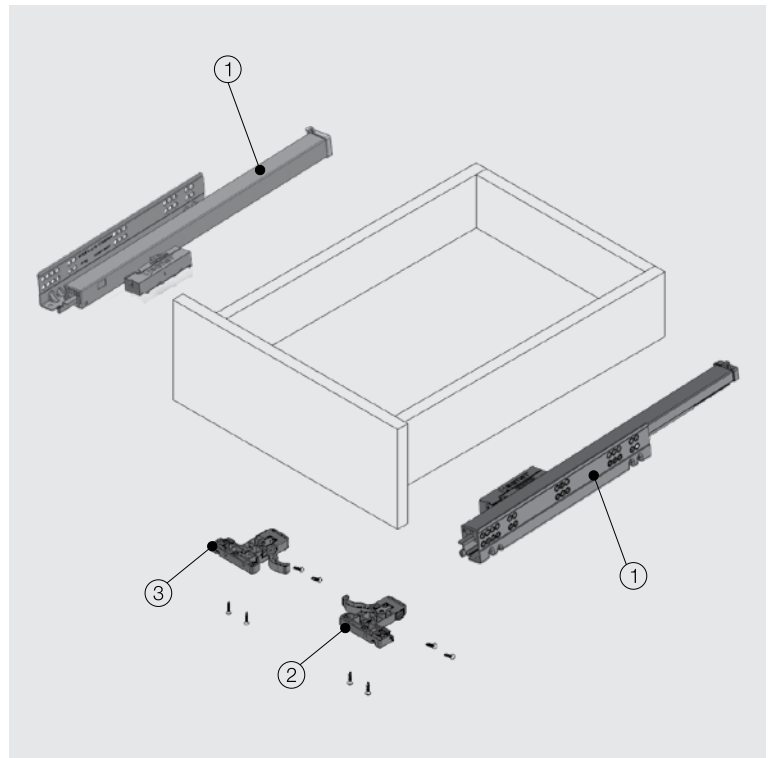


smart slide full

Push-Open Full Extension Drawer Lock Fix



- Concealed, full extension slides for wooden drawers.
- 3 mm backward and forward adjustment is enabled by screw on Push-Open mechanism.
- Easy removal and mounting permitted by SmartLock®
- The SmartLock® System provides a ±1,5 mm horizontal and +2 mm upwards adjustment opportunity.
- Maximum up to 19 mm wooden side application
- Drawer Length alternatives: 250/300/350/400/450/500/550/600 mm
- The improved stability guarantees a long product durability
- Same cabinet and drawer can be used with both Smart Slide® Full Extension® and Smart Slide Single Extension (without changing the SmartLock® System)

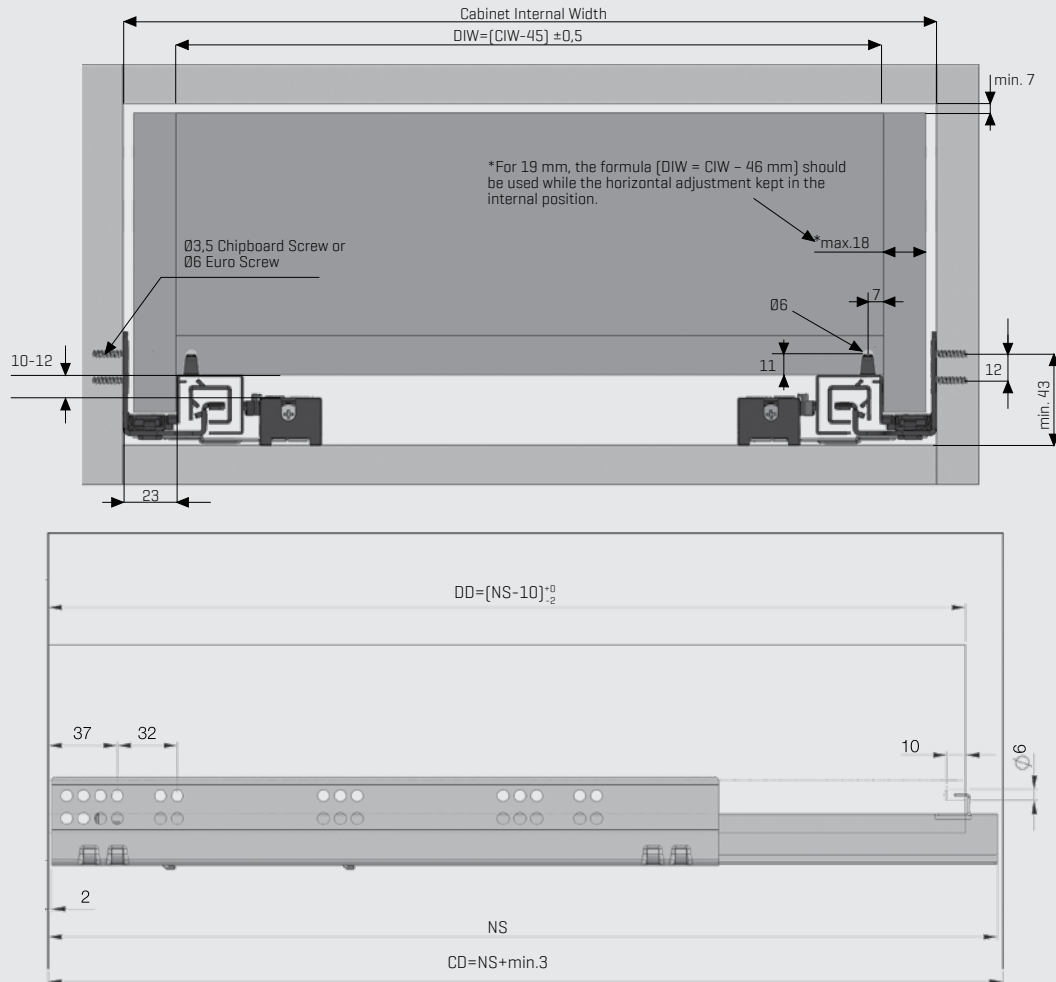


1 Smart Slide Drawer Slide Right-Left		
NOMINAL SIZE	CODE	PACKING
250 mm	127210421	6 Set
300 mm	127210422	6 Set
350 mm	127210423	6 Set
400 mm	127210424	6 Set
450 mm	127210425	6 Set
500 mm	127210426	6 Set
550 mm	127210427	6 Set
600 mm	127210428	6 Set

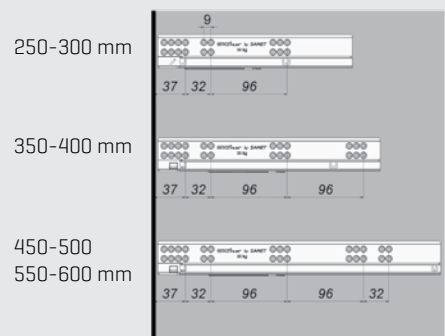
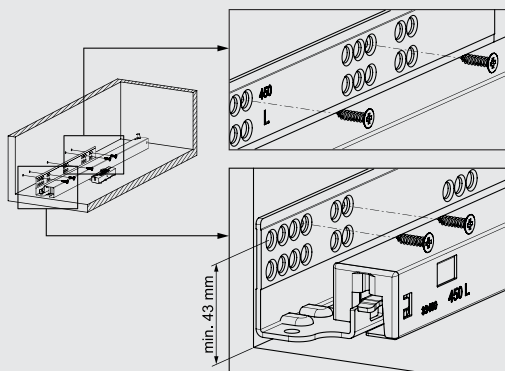
2-3 SmartLock® System Right-Left		
CODE Right	CODE Left	PACKING
12790773	12790774	120 Pcs

Dynamic loading capacity: 40 kg

Drawer and Cabinet Dimensions



Screw Locations for Slides



- CD Cabinet Depth
- CIW Cabinet Internal Width
- NS Nominal Size
- DIW Drawer Internal Width
- DD Drawer Depth

*All dimensions in the graphs above are measured in mm

Recommended Screws For Rail Assembly

Ø3,5x16 mm Chipboard Screw



Ø6,1x11,5 mm Euro Screw

